

Date February 18, 1987

## SPECIFICATIONS FOR

*Owner* Community Improvement Corp of Henry County

*Address* Napoleon, Ohio

*Architect* Constr. MGR. - CORNERSTONE CONST.

*Engineer*

*General  
Contractor*

*Building* D N E SCREW PRODUCTS INDUSTRIAL FACILITY

*Location* NAPOLEON, OHIO

*Submitted By* L.R. BABCOCK PLUMBING & HEATING

*Remarks*

local  
Independence

NATION-WIDE SERVICE THROUGH WHOLESALE DISTRIBUTORS

WSI-1780



WESTBURNE SUPPLY, INC.

SUBSIDIARY OF UNITED WESTBURN'S INDUSTRIES, INC.

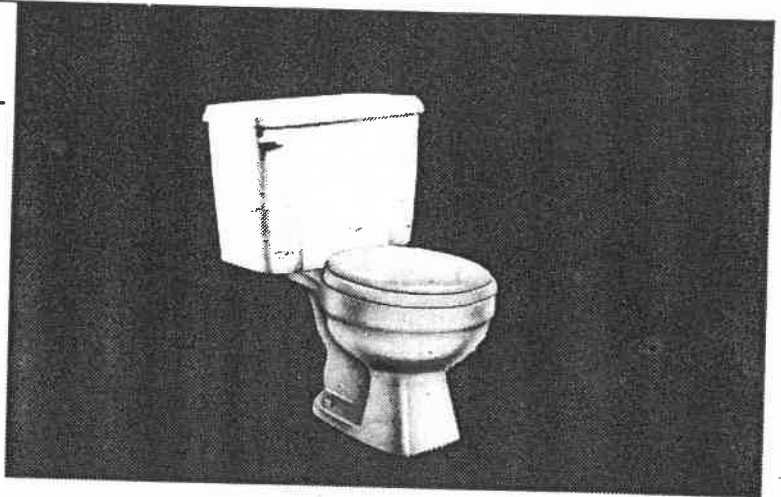
# AMERICAN STANDARD

Pure luxury.

P-1 WATER CLOSET

water-saver  
Plebe toilet  
Vitreous China

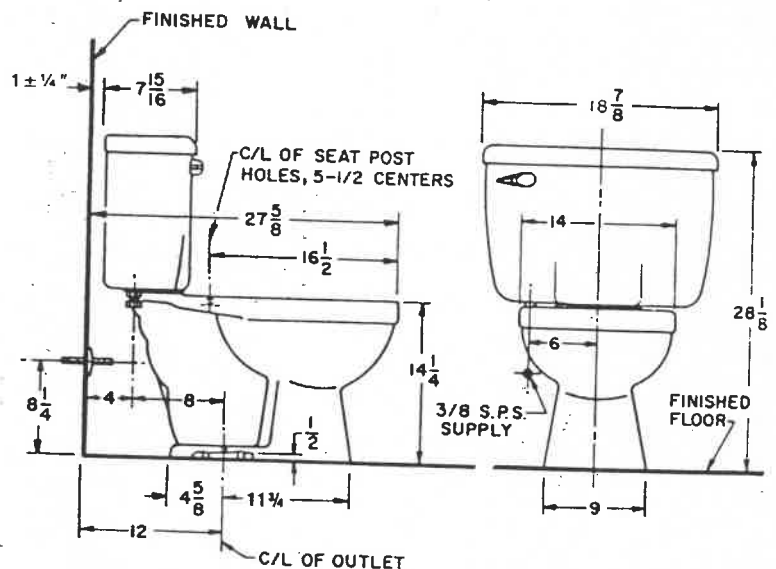
WITH: #397C Black Seat  
#3112SCW Closet supplies.  
#G-236 Wax Ring  
Pr. Closet Bolts



### 2131.175

water-saver Plebe vitreous china toilet, round front siphon action reverse trap bowl with jet (3031.010), close-coupled tank with water-saving trim (4093.019), 2 bolt caps. Fixture only, less seat and supply pipe by others.

water surface, seal, ballpass and operation meets or exceeds ANSI A112.119.2M code requirements.



NOTE: 3/8" SUPPLY PIPE NOT INCLUDED WITH FIXTURE AND MUST BE ORDERED SEPARATELY.  
\*DIMENSIONS SHOWN FOR SUPPLY ARE SUGGESTED.  
PLUMBER NOTE—This combination is designed to rough-in at a minimum dimension of 12" from finished wall to C/L of outlet.  
IMPORTANT: Dimensions of fixtures are nominal and may vary within the range of tolerances established by ANSI Standards A112.19.2.M

These measurements are subject to change or cancellation. No responsibility is assumed for use of superseded or voided pages.

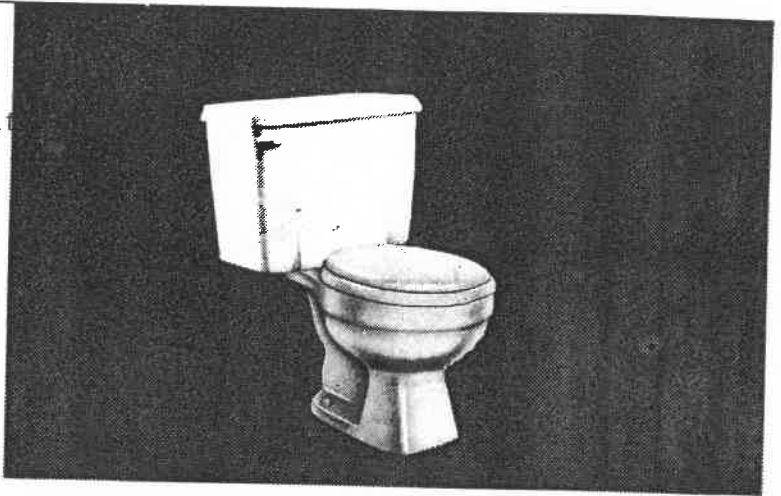
# AMERICAN STANDARD

Pure luxury.

P-2 WATER CLOSET

water-saver  
Plebe toilet  
Vitreous China

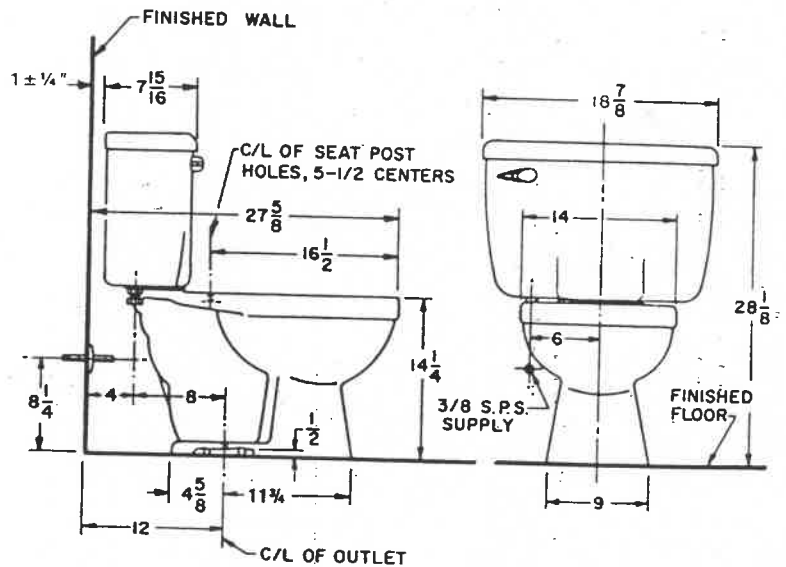
WITH: #740 White Church seat  
#3112SCW Closet supplies.  
#G-236 Wax Ring  
Pr. Closet Bolts



2131.175

water-saver Plebe vitreous china toilet, round front siphon action reverse trap bowl with jet (3031.010), close-coupled tank with water-saving trim (4093.019), 2 bolt caps. Fixture only, less seat and supply pipe by others.

water surface, seal, ballpass and operation meets or exceeds ANSI A112.119.2M code requirements.



NOTE: 3/8" SUPPLY PIPE NOT INCLUDED WITH FIXTURE AND MUST BE ORDERED SEPARATELY.  
\*DIMENSIONS SHOWN FOR SUPPLY ARE SUGGESTED.

PLUMBER NOTE—This combination is designed to rough-in at a minimum dimension of 12" from finished wall to C/L of outlet.

IMPORTANT: Dimensions of fixtures are nominal and may vary within the range of tolerances established by ANSI Standards A112.19.2 M

These measurements are subject to change or cancellation. No responsibility is assumed for use of superseded or voided pages.

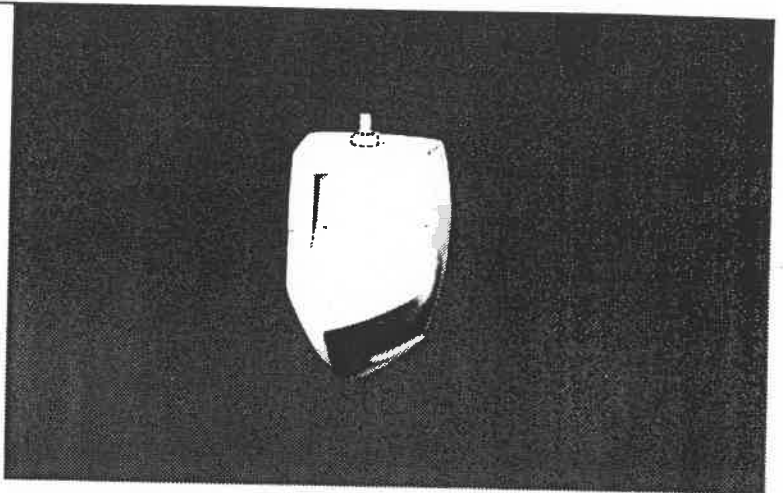
# AMERICAN STANDARD

Pure luxury.

P-3 URINAL

new Maybrook urinal  
Vitreous China

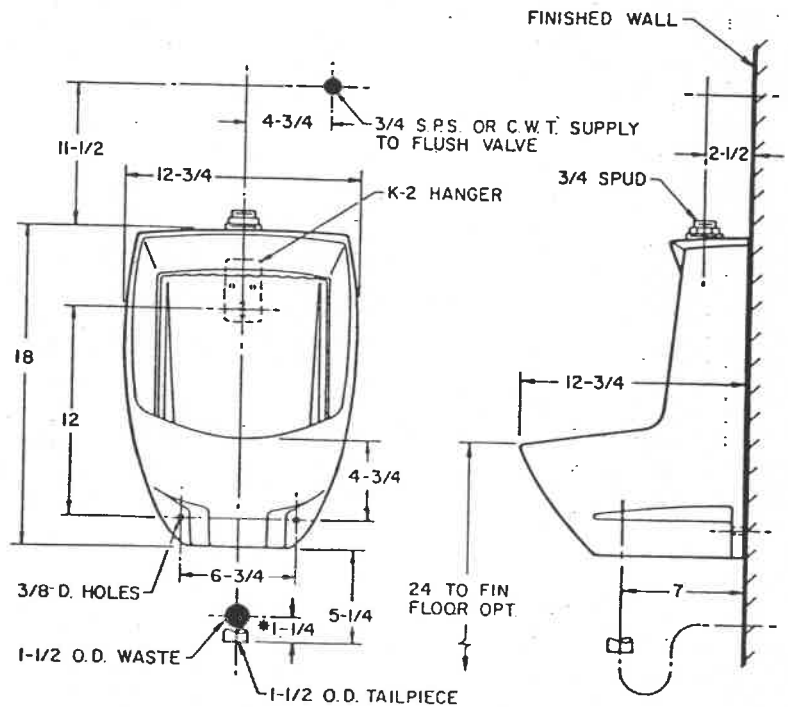
WITH: #732VB Chicago Flush valve  
#510 1½" P-Trap



### 6581.015

new Maybrook vitreous china wall-hung washout urinal with flushing rim, wall rim, wall hanger, ¾" top spud, outlet spud with ½" tubing tailpiece, integral strainer. Fixture only.

Suggested flush valve for new Maybrook: Sloan Royal 186.



\*DIMENSION SHOWN FOR DRAIN OUTLET IS SUGGESTED.

NOTE: FLUSH VALVE AND "P" TRAP NOT INCLUDED WITH FIXTURE AND MUST BE ORDERED SEPARATELY.

PLUMBER NOTE—Provide suitable reinforcement for all wall supports

IMPORTANT: Dimensions of fixtures are nominal and may vary within the range of tolerances established by ANSI Standards A112.19.2.M.

These measurements are subject to change or cancellation. No responsibility is assumed for use of superseded or voided pages.

# AMERICAN STANDARD

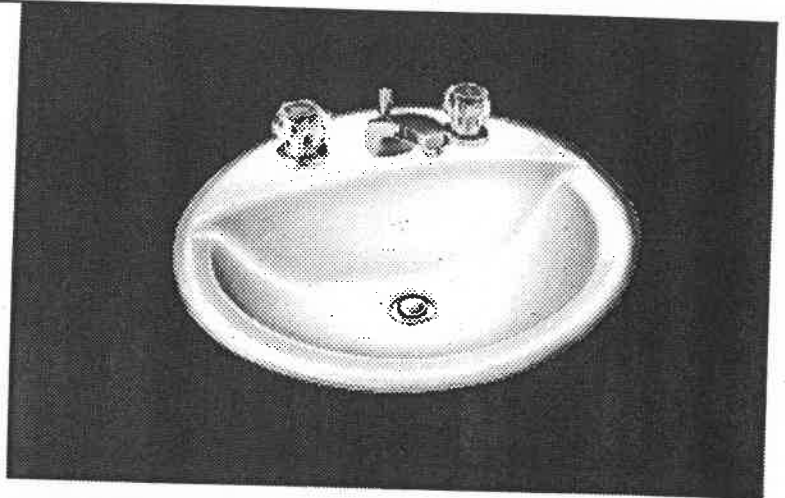
Pure luxury.

P-4 LAV. 1

## Aqualyn lavatory

Vitreous China

WITH: #2103.151 A/S Faucet  
#2712SCW Lav Supplies  
#700DF 1½" P-Trap



- 0475.020**  
faucet holes on 8" (204mm) centers
- 0476.028**  
faucet holes on 4" (102mm) centers (illustrated)

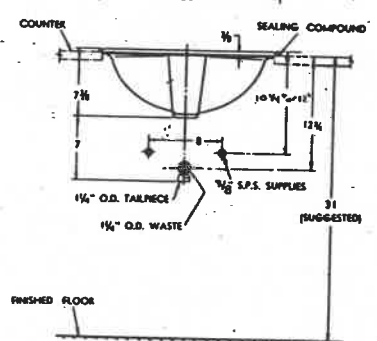
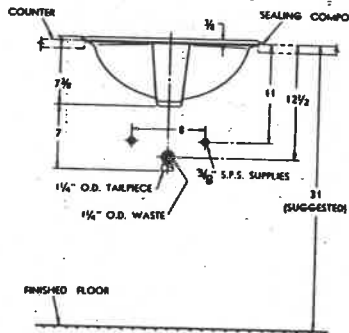
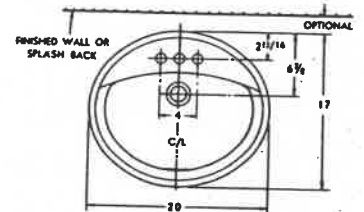
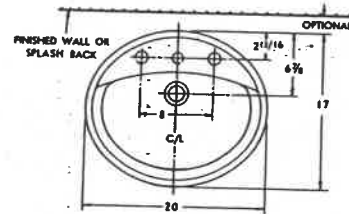
Aqualyn self-rimming vitreous china countertop lavatory with fitting ledge, front overflow. Fixture only.

bowl sizes:

16" wide (406mm), 10" front to back (254mm), 5½" deep (143mm)

**0475.020**

**0476.028**

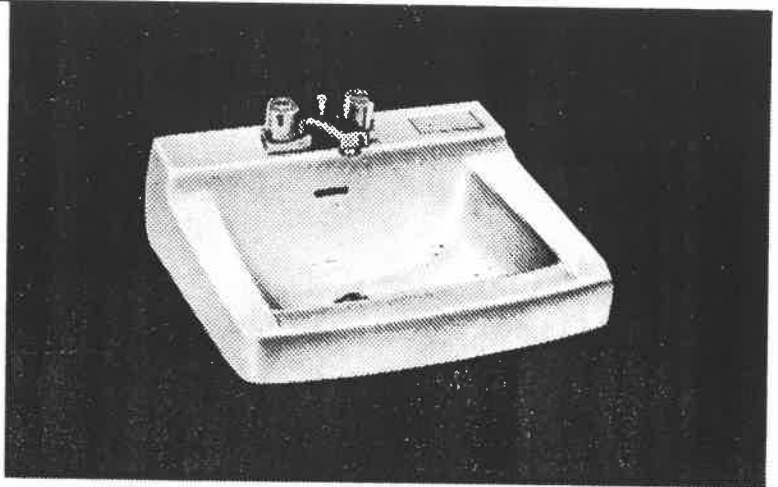


\*DIMENSIONS SHOWN FOR LOCATION OF SUPPLIES AND "P" TRAP ARE SUGGESTED

IMPORTANT: Dimensions of fixtures are nominal and may vary within the range of tolerances established by ANSI Standards A112.19.2.

These measurements are subject to change or cancellation. No responsibility is assumed for use of superseded or voided pages.

WITH: #2103.151 A/S Faucet  
 #2712SCW Lav Supplies  
 #700DF 1½" P-Trap



4" (102mm) centers

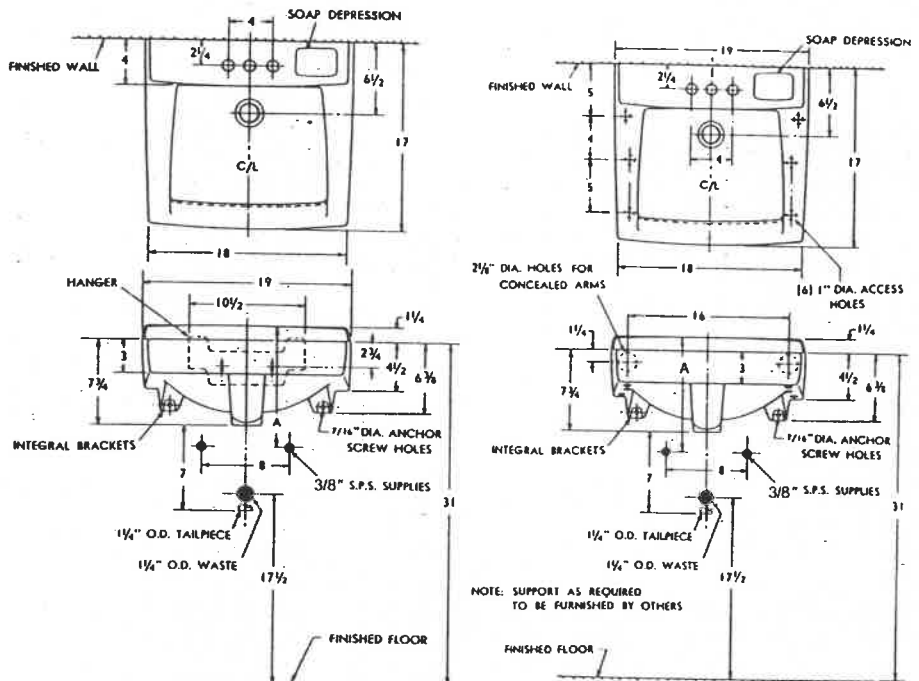
- 0321.026 with wall hanger
- 0321.075 for concealed arms

Declyn vitreous china lavatory with back overflow, soap depression. Fixture only. Shown with 2350.057 Cadet fitting.

**bowl sizes:**

14¼" wide (368mm), 10¾" front to back (273mm), 6" deep (152mm)

0321.026 SHOWN WITH CENTER-SET FTTG., 3/8 FLEX SUPPLIES, POP-UP DRAIN & 1¼ O.D. "P" TRAP. 0321.075



FITTINGS	A
2103. SERIES	10-1/4
2385. SERIES	12

\*DIMENSIONS SHOWN FOR LOCATION OF SUPPLIES AND "P" TRAP ARE SUGGESTED.

NOTE: FITTINGS NOT INCLUDED WITH FIXTURE AND MUST BE ORDERED SEPARATELY.

PLUMBER NOTE—Provide suitable reinforcement for all wall supports.

IMPORTANT: Dimensions of fixtures are nominal and may vary within the range of tolerances established by ANSI Standards A112.19.2.

These measurements are subject to change or cancellation. No responsibility is assumed for use of superseded or voided pages

**CORNERSTONE CONSTRUCTION, INC.**

P.O. Box 431  
 DEFIANCE, OHIO 43512

**LETTER OF TRANSMITTAL**

(419) 782-1607

DATE 4-17-87	JOB NO.
ATTENTION DON	
RE: NEW FACILITY	

TO D.V.E. SCREW PRODUCTS  
655 INDEPENENCE  
NAPOLEON, O

WE ARE SENDING YOU  Attached  Under separate cover via \_\_\_\_\_ the following items:

- Shop drawings     Prints     Plans     Samples     Specifications  
 Copy of letter     Change order     \_\_\_\_\_

COPIES	DATE	NO.	DESCRIPTION
1		1	ROOF WARRANTY
1		2	CO-RAY VAC SPEC. SHTS.
1		3	H.V.A.C UNIT, DIFFUSERS SPEC. SHTS
1		4	LIGHTS AND SERVICE EQUIP. SPEC. SHTS
1		5	PLUMBING FIXTURES

THESE ARE TRANSMITTED as checked below:

- For approval     Approved as submitted     Resubmit \_\_\_\_\_ copies for approval  
 For your use     Approved as noted     Submit \_\_\_\_\_ copies for distribution  
 As requested     Returned for corrections     Return \_\_\_\_\_ corrected prints  
 For review and comment     \_\_\_\_\_  
 FOR BIDS DUE \_\_\_\_\_ 19 \_\_\_\_\_     PRINTS RETURNED AFTER LOAN TO US

REMARKS DON,  
FILE THESE IN A SAFE PLACE FOR FUTURE  
REFERENCE.

CITY OF NAPOLEON  
 FILE

COPY TO \_\_\_\_\_

SIGNED: \_\_\_\_\_

J. ROSEBROCK